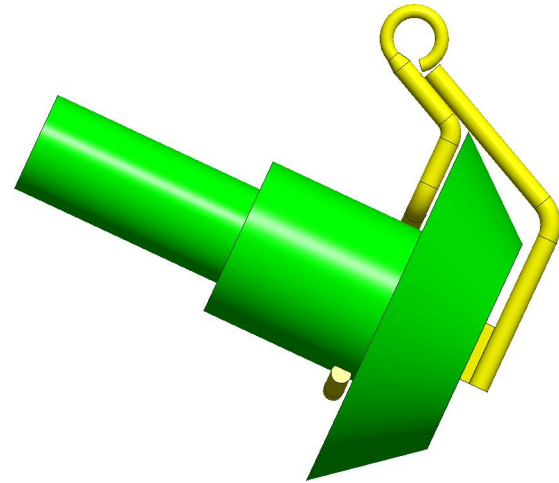
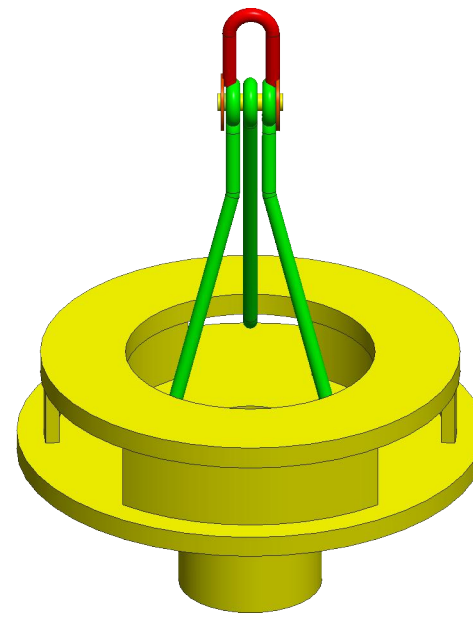


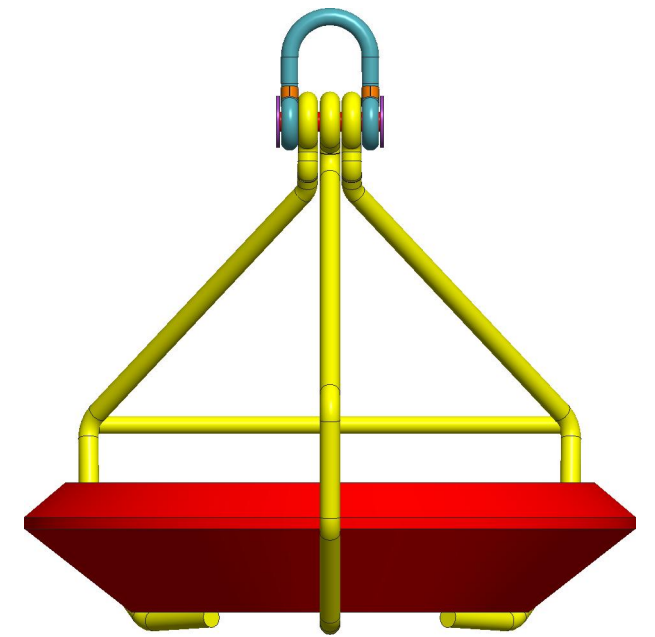
PRY HEEL, 25 LB
160624D0



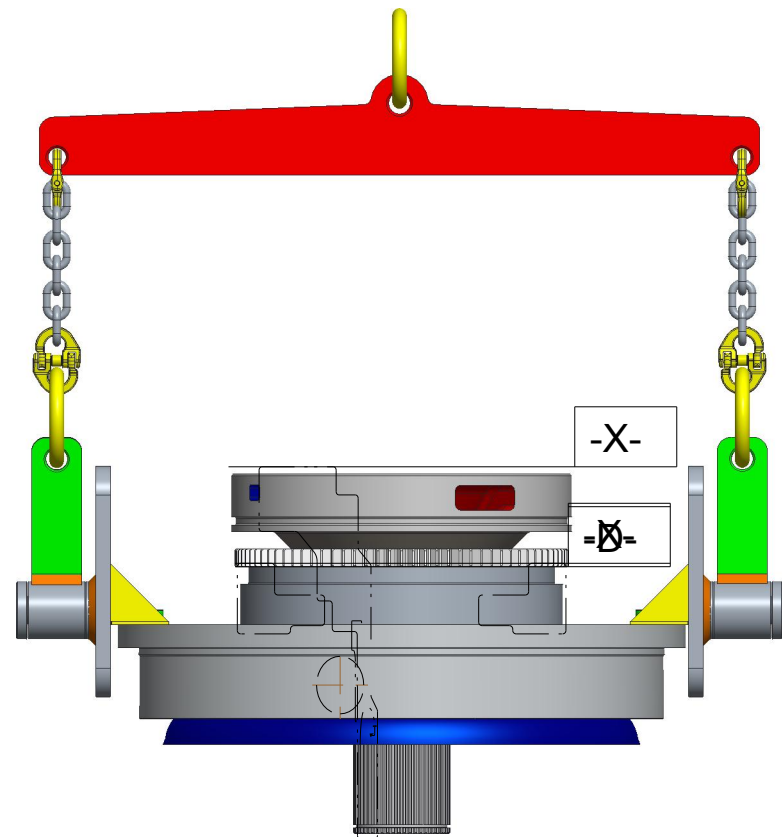
PRY HEEL, 200 LB
160616D0



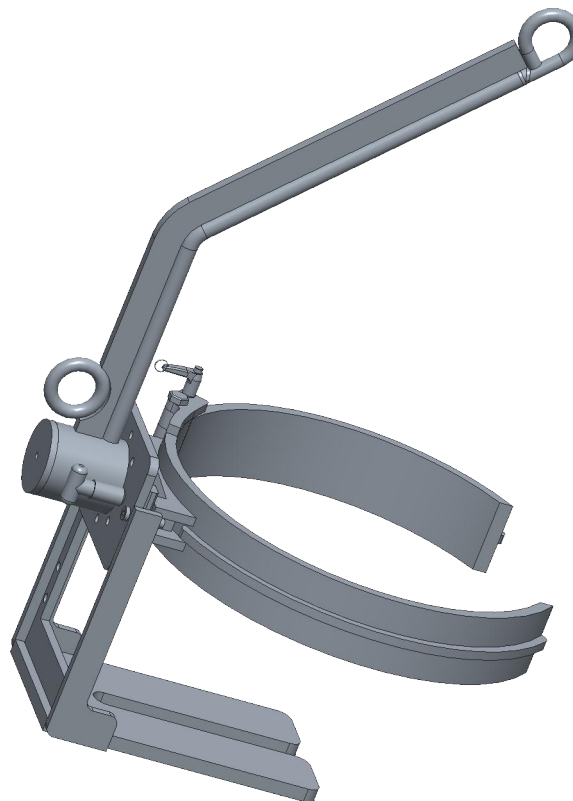
3-LEG TONG, 100 LB
160823B0-900



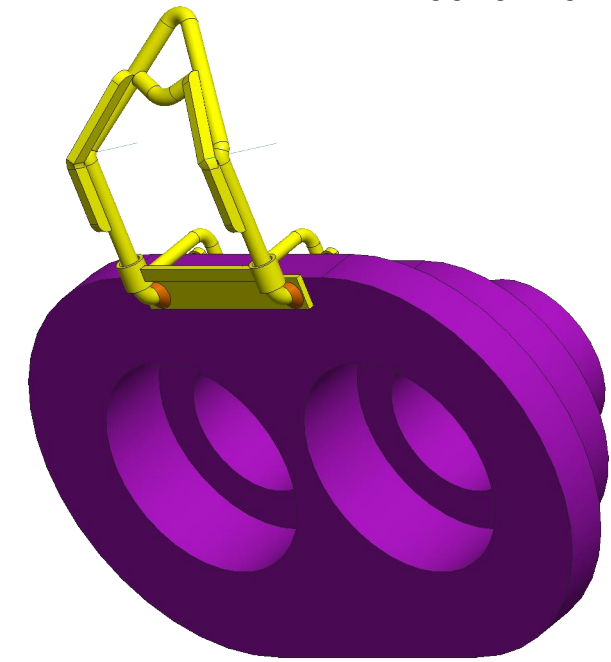
3-LEG TONG, 500 LB
160401E0



ROLL-OVER, 1000 LB
160823J0



ROLL-OVER, 1000 LB
150616E0



2-LEG TONG, 200 LB
160630D0

| | | |
|-------|--------|------|
| DWG#: | JOB#:J | PO#: |
|-------|--------|------|

THE INFORMATION IN THIS DRAWING IS THE PROPERTY OF BLUE RIDGE FORGE, INC. ANY COPYING, MODIFICATIONS, TRANSITTAL TO OTHERS AND/OR ANY USE EXCEPT THAT FOR WHICH IT WAS LOANED IS STRICTLY PROHIBITED

BLUE RIDGE FORGE, INC.

PRODUCT EXAMPLES, BLUE RIDGE FORGE

| | | | |
|------------|------|------------|-----------|
| SIZE: A | SN#: | LD# OR L#: | REV: A |
|------------|------|------------|-----------|

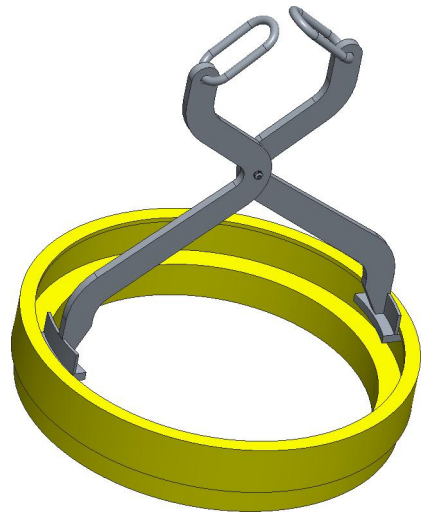
NAME: X SHEET: 1 OF

TOTAL WT.:

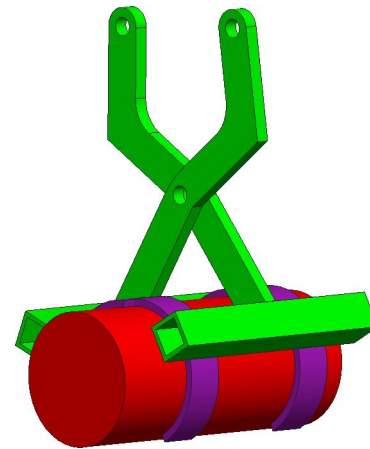
CAPACITY:
X

NOTES: 1.ALL WELDED CONSTRUCTION
2.ALL WELDS TO BE CONTINUOUS
UNLESS OTHERWISE NOTED

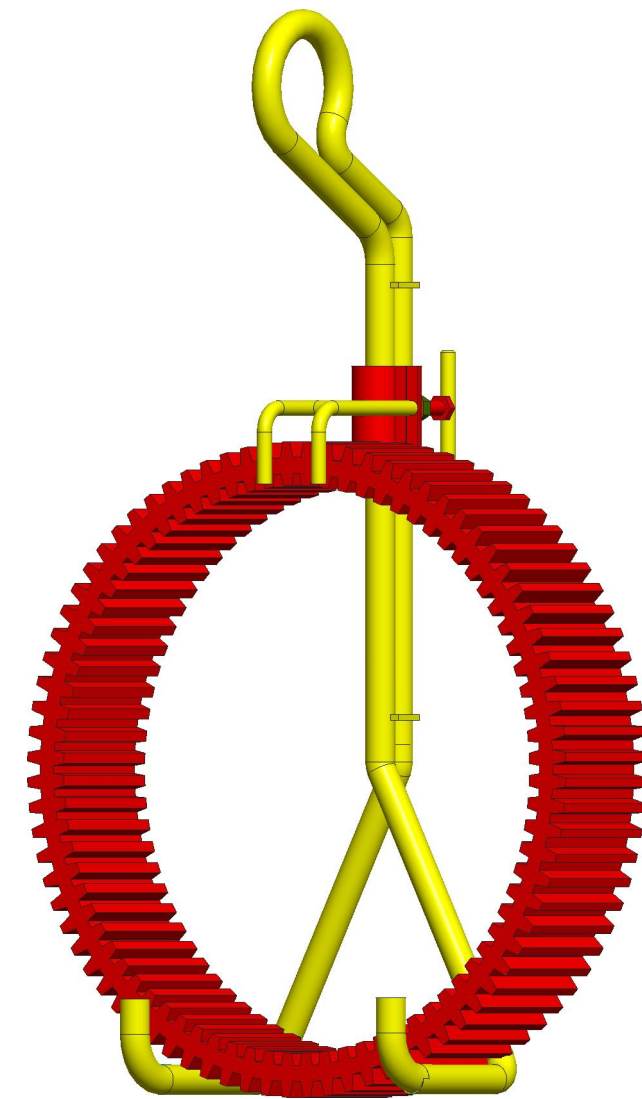
UNLESS OTHERWISE NOTED:
WELDING DIMENSIONS: $\pm 1/16"$
FRACTIONAL DIMENSIONS: $\pm 1/32"$
TWO PLACE DIMENSIONS: $\pm 0.01"$
THREE PLACE DIMENSIONS: $\pm 0.005"$



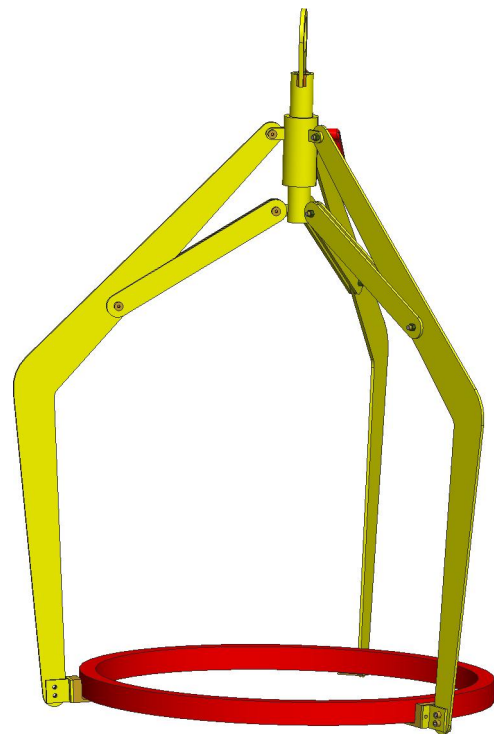
SCISSOR LIFT, 32 LB
160823F0-900



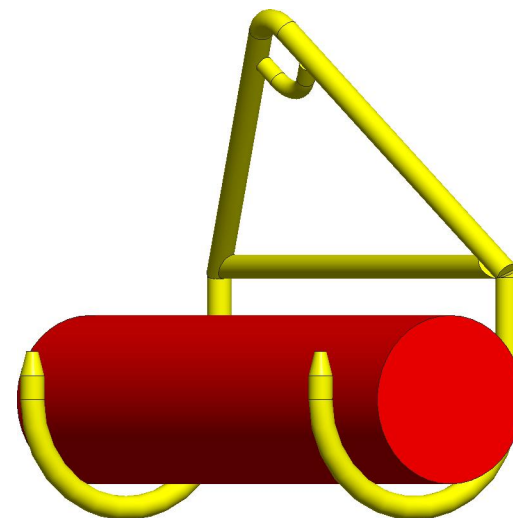
SCISSOR LIFT, 200 LB
160610A0-101



STIRRUP HOOK, 100 LB
161026G0



3-LEG SCISSOR LIFT, 400 LB
161109B0



STIRRUP HOOK, 2000 LB
160623E0-104

TOTAL WT.:

NOTES: 1.ALL WELDED CONSTRUCTION
2.ALL WELDS TO BE CONTINUOUS
UNLESS OTHERWISE NOTED

UNLESS OTHERWISE NOTED:
WELDING DIMENSIONS: $\pm 1/16"$
FRACTIONAL DIMENSIONS: $\pm 1/32"$
TWO PLACE DIMENSIONS: $\pm 0.01"$
THREE PLACE DIMENSIONS: $\pm 0.005"$

| | | |
|-------|--------|------|
| DWG#: | JOB#:J | PO#: |
|-------|--------|------|

THE INFORMATION IN THIS DRAWING IS THE PROPERTY OF BLUE RIDGE FORGE, INC. ANY COPYING, MODIFICATIONS, TRANSITTAL TO OTHERS AND/OR ANY USE EXCEPT THAT FOR WHICH IT WAS LOANED IS STRICTLY PROHIBITED

BLUE RIDGE FORGE, INC.

PRODUCT EXAMPLES, BLUE RIDGE FORGE

| | | | |
|------------|------|------------|-----------|
| SIZE: A | SN#: | LD# OR L#: | REV: A |
|------------|------|------------|-----------|

CAPACITY:
X

NAME: X SHEET: 1 OF